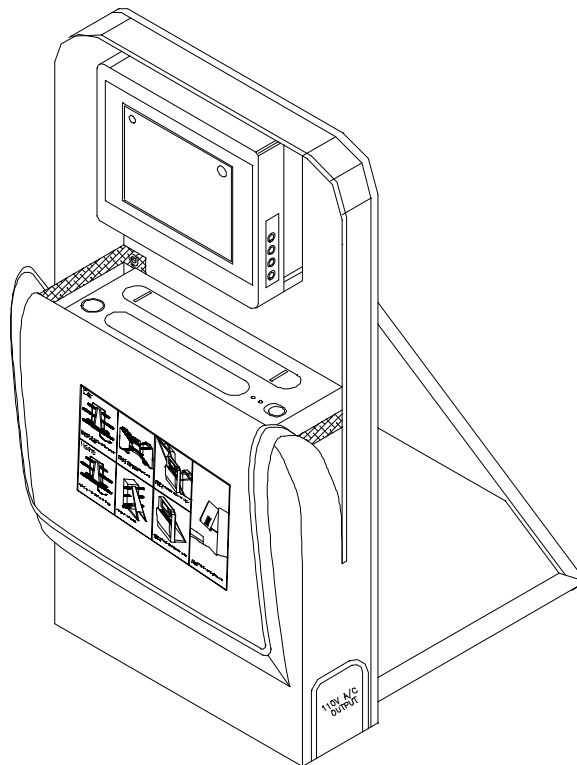


# VIDEO *Express*<sup>TM</sup> By FlexVision

---

## Mobile Video Entertainment System



Audiovox Specialized Applications, LLC  
23319 Cooper Drive  
Elkhart, IN 46514  
(219) 264-3135

# **Components:**

## **CTV-5060**

- 6" TFT-LCD
- Built-in tuner (Channels 2-69)
- 2 Audio/Video Inputs (VCP, Game, etc.)
- Headphone jack

## **AVP-7000**

- VHS Video Cassette Player
- Play home movies or movie rental

## **AC2A**

- 2 Amp AC to DC converter
- Converts 110VAC to 12VDC
- Allows use of video bag indoors or at any 110VAC receptacle

## **INVERTER**

- Inverts any vehicles 12VDC to 110VAC  
While supplying 80W's of power
- Allows use of any home appliance which requires 80W's or less of power
- Makes game hook-up easy, no special power adapter is needed, plug straight into the 110VAC receptacle.
- Will power all major video games (Sega Genesis, Sony Play Station, Nintendo 64, Etc.)
- Will operate all laptop computers requiring 80W's or less power
- Charge cell phone or laptop batteries

## **Features:**

- The Video Express is a mobile entertainment system designed to be used in motor vehicle applications as well as any 110VAC source.
- The Video Express is equipped with a cigarette lighter plug to provide power to the 5.6" LCD TV, Video Player, and an 80W Power Inverter.
- The 5.6" LCD TV allows two audio/video Inputs, has a built-in tuner, and audio output for the headphones. Included in the Video Express package is an adapter to allow use of two headphones at the same time.
- Video 1 is pre-wired to receive the signal from the video player. Video 2 is set up to receive audio/video signal from any other video source such as a Video Game (Sony Play Station, Sega Genesis, etc.), Camcorder, DVD, etc. The Owner's Manual for the CTV-5060 provides detailed hook-up instructions for the TV.
- The AVP-7000 video cassette player allows play of any standard VHS tape. Rent a movie or bring any home VHS tape along with you. The Owner's Manual for the AVP-7000 provides details on specific operation and troubleshooting
- The Video Express is equipped with an 80W power inverter. This inverter allows you to use any home electrical device which requires less than 80W's of power. Check the power requirement of the unit before plugging it in. Sony Play station, Sega Genesis, Nintendo, Camcorders, most laptops (check power requirements first) and cell phone chargers are a few items which will run off of the inverter. **Do Not** exceed the 80W power of the inverter, damage to the inverter and or equipment being used may occur. See the Owner's Manual for the inverter for certain characteristics of this product.

## **Safety Tests:**

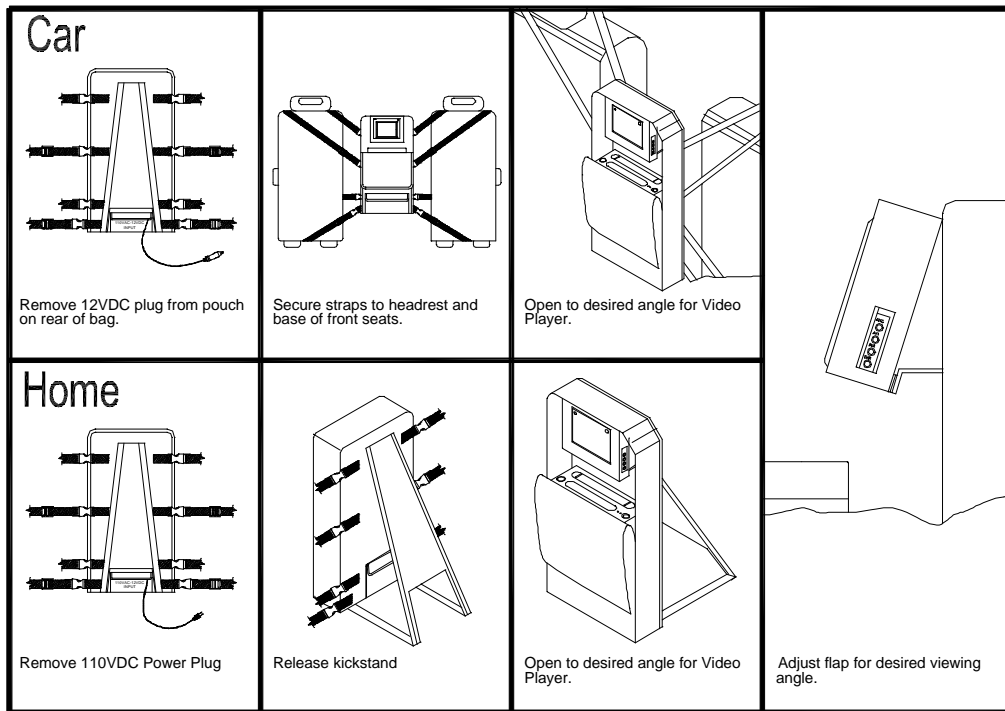
The Video Express has gone through extensive testing and meets the criteria for the following Federal Vehicle Manufacturers Safety Codes:

FVMSS-208 sled pulse. This test simulates a 30mph collision and verifies the integrity of the mounting system which holds the Video Express in place.

FMH (Free Motion Headform) This is a head impact test that calculates the force applied to the head during impact.

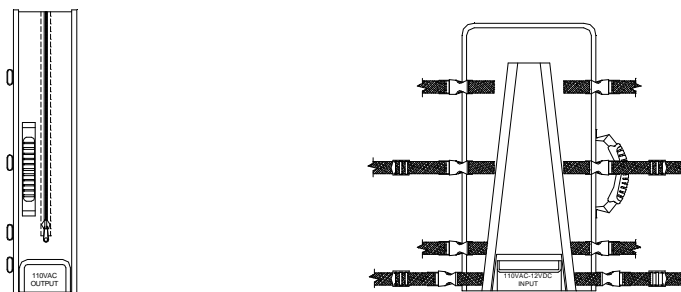
FVMSS-302 burn code. This is a burn code which states that a specific product will not ignite or will not burn a certain distance at a certain rate of speed as stated in the code.

# Automotive Installation:

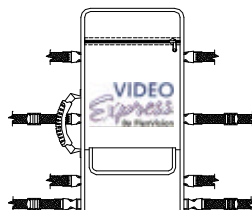


Above visual is printed on the inside of the Video Express itself.

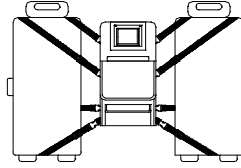
1. Remove the 12 VDC power cord from the pouch marked 110VAC and 12VDC. This pouch is located on the back side of the Video Express just behind the "kickstand".



2. Remove the four straps that are packed inside the pocket located on the front of the Video Express.



3. Route two straps around the headrests as shown. Use the adjustment belt to pull the Video Express into place. It is easier to adjust each side a little at a time. This will help to center the Video Express between the two seats.



4. Use the remaining two straps to secure the bottom of the Video Express bag to the base of the seats

Notice: If you route the straps under the seats, make sure that the straps do not interfere with the slide bars of the seat. If the straps get in the way while the seat is being adjusted forwards or backwards, damage to the seat or Video Express could occur.

Most seats have a slot between the top and bottom portion. Tilt the seat back forward and see if your hand will slide through. If so, this is the easiest way to route the bottom two straps.

## **Caution:**

It is unlawful in most jurisdictions for a person to drive a motor vehicle which is equipped with a television viewer or screen that is located at any point forward of the back of the driver's seat, or that is visible, directly or indirectly, to the driver while operating the vehicle. This product should only be installed to the rear of the back of the driver's seat where it will not be visible, directly or indirectly, to the operator of the motor vehicle.

## **Note:**

All four straps must be installed properly. Failure to do so could cause the Video Express to break loose in a collision and cause bodily injury or damage to the Video Express itself.

## **TV and VCP Adjustments:**

Visuals are printed on the inside of the Video Express itself.

1. Unzip the front of the Video Express to gain access to the visual Aid, TV and Video Player. Use the zippers to adjust the angle of the video player. The farther down the zippers are unzipped, the farther the video player will stick out. Unzip both sides until the desired angle is reached.
2. Plug the 12VDC plug into the vehicle cigarette lighter jack.
3. Turn the CTV-5060 and the Video Player on by pushing on each of their power buttons.
4. Insert a tape into the video player and select Video 1 on the TV. To select Video 1 on the TV use the TV, AV1, AV2 button on the top of the TV. Push the button until Video 1 is displayed on the screen.

The CTV-5060 is a LCD (liquid crystal display), at certain viewing angles the picture of the LCD TV can appear to be whited out or to be a negative image. There are two different adjustments that can be done to change the viewing angle of the CTV-5060.

First determine if the viewed images are acceptable or not. If the image appears to be negative or whited out try the following steps:

1. Behind the TV is an adjustable Velcro flap. Move the bottom of the TV back and forth to find a desirable viewing angle then attach the flap to the back of the TV.
2. Using the Picture Selection button until the word Brightness and a slide bar appear on the screen. Use the volume up and down buttons to adjust the brightness. This will give the appearance that the angle of the TV is changing and will give you a better picture.

It is possible that each time you install the Video Express, you will have to adjust the viewing angle and brightness of your TV. This is especially true if you are installing the Video Express into different types of vehicles. Each vehicle's seats will have a different angle to them.

## Accessory List

Description	Part Number	Price
AVT-988 9" Color Television with Remote (12V)	AVT988	\$320.00
AVT-597 5" Color Television with Remote (12V)	AVT597	\$320.00
AVT-1498 13" Color Television with Remote (12V)	AVT1498	\$350.00
AVP-7000 Video Cassette Player (12V)	AVP7000	\$270.00
BPA-501-12 4 Amp Adapter for use with AVT-988 9" and AVT-1498 13" Televisions	0891412	\$45.00
AC2A- 2 Amp Adapter for use with AVT-597 5" TV and AVP-7000 Video Cassette Player	0891436	\$35.00
Unified Remote Control	0892325	\$45.00
VAC-21- 12 Volt Corded Vacuum	VAC21	\$35.00
AVF-1 12 Volt Rechargeable Flashlight	AVF1	\$25.00
HP-175 Headphones with Pivoting Ear Cup	HP175	\$11.75
HP-275 Headphones with Volume Control on Cord	HP275	\$16.00
HP-375 Studio Quality Headphones	HP375	\$14.00

Unlike household electronics, all of our products have been specifically designed and tested for the mobile environment and are only available through ASA. To order any of these products, please contact Audiovox Specialized Applications at [www.asa-avx.com](http://www.asa-avx.com) or 800-688-3135.

\*Prices subject to change

