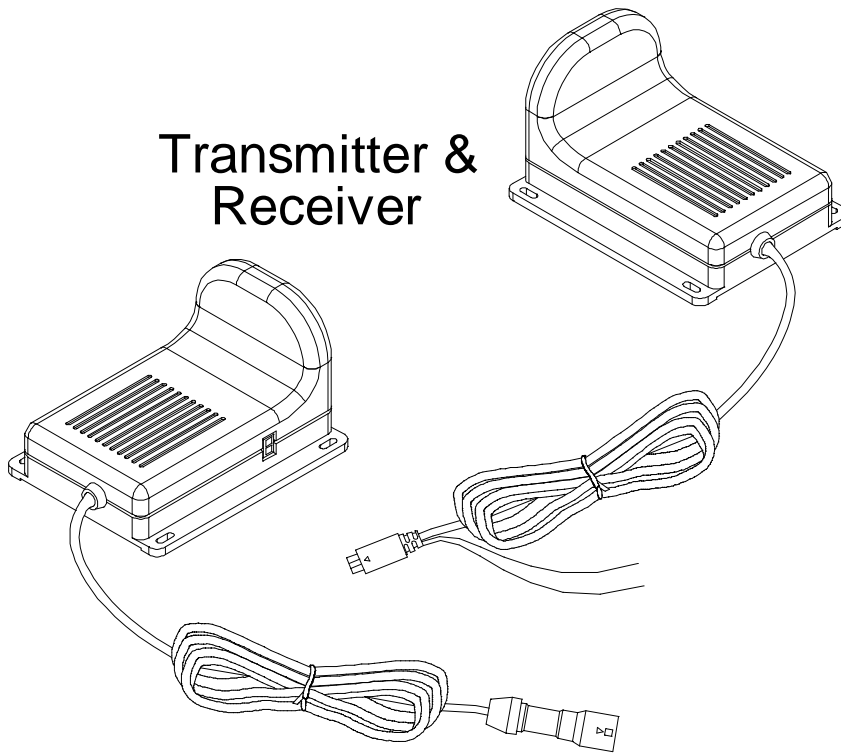


Voyager[®]

In-Vehicle
Wireless Observation System Kit
Owner's/Installation Manual
WOS500

Transmitter &
Receiver



Audiovox Specialized Applications, LLC
23319 Cooper Drive
Elkhart, IN 46514
(219) 264-3135

Contents:

- 1) WOS500T Transmitter
- 2) WOS500R Receiver
- 3) Power Harness with Locking Connector
- 4) Hardware Package

Before Installation:

- This system operates on 12 Volts DC only, negative ground
- For maximum operating range, try to minimize the number of obstacles between the transmitter and receiver units.
- This system broadcasts high-quality audio and video, using directional antennas that must be orientated in certain configurations for best results. The flat-pitted faces on the receiver and transmitter have antenna which have been designed to face each other.
- This system is NOT waterproof, and should not be used in a wet or high humidity environment as this can cause system damage or electrical shock.
- Do not stand on this product, or place things on this product.

Installation Instructions:

TRANSMITTER

- 1) Insert the power harness connector provided into the DC IN socket on the rear panel.
- 2) Position the transmitter near the camera and mount using four of the provided screws. Flat-pitted face should be facing toward the front of the vehicle. See figure 1.
- 3) Connect the cable of the transmitter and camera.

RECEIVER

- 1) Position the receiver near the monitor and mount using the remaining four provided screws. Flat-pitted face should be facing toward the rear of the vehicle. See figure 1.
- 2) Connect the cable of the receiver to CA1 or CA2 of the monitor.

Transmitter and Receiver Placement:

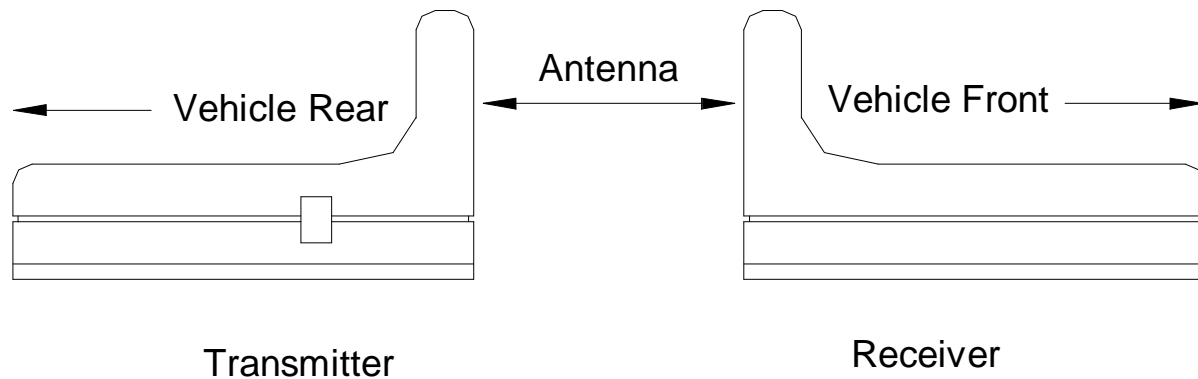
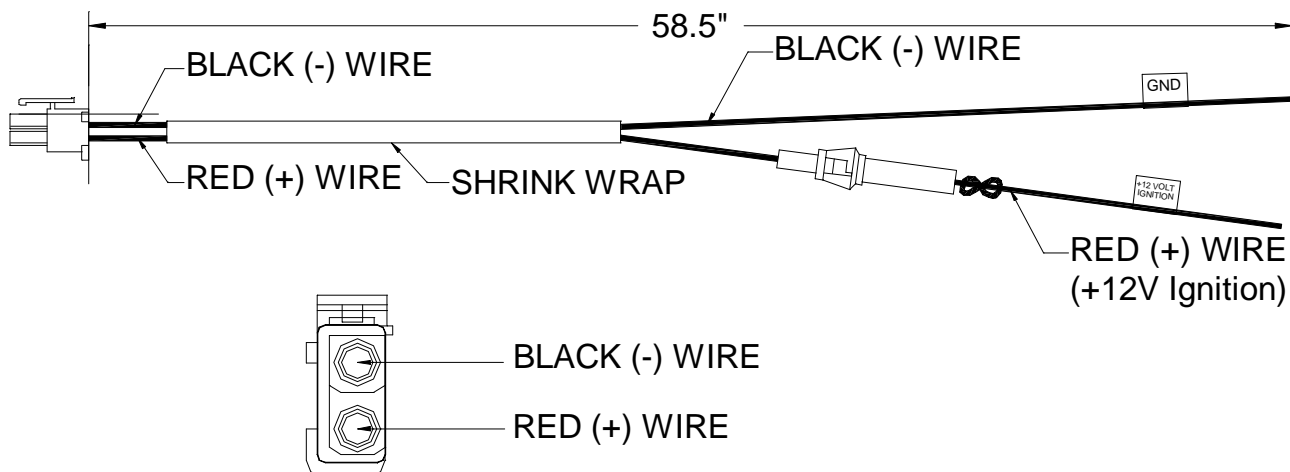


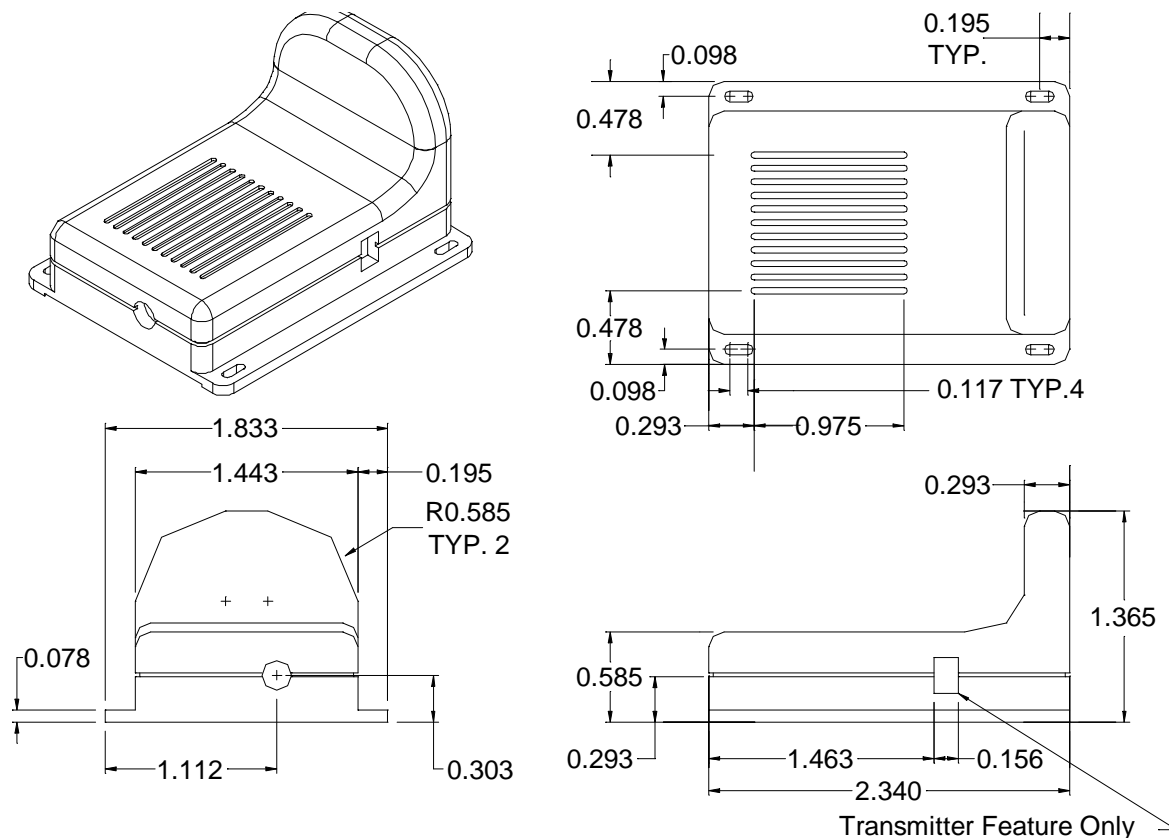
Figure 1

For best reception the transmitter and receiver must be aligned with the flat-pitted faces back to back. The antenna in the receiver should face the rear of the vehicle and the antenna in the transmitter should face the front of the vehicle. RF signal can be picked up between the receiver and the transmitter best by using this method.

Power Harness and Pinout:



Receiver and Transmitter Dimensions:



Functions and Operation:

TRANSMITTER

- 1) Directional 2.4GHz antenna sends audio and video signals.
- 2) Power Connection
Pin 1- Ground- Black Wire
Pin 2- +12VDC ignition- Red Wire
- 3) Camera Connection to AOC75/AOC100 camera.

RECEIVER

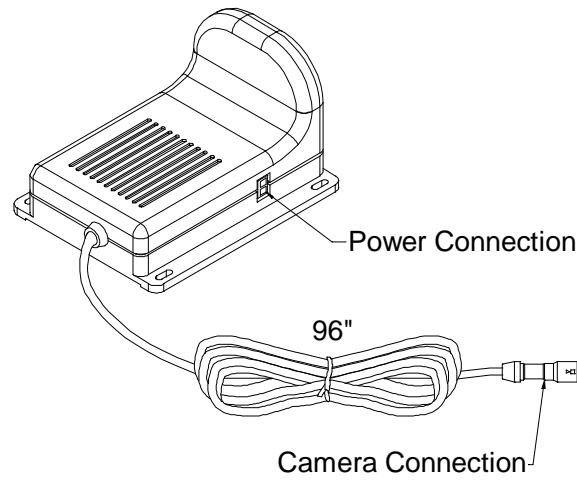
- 1) Directional 2.4GHz antenna receives audio and video signals.
- 2) Monitor connection to AOM70/AOM53 monitor.

Make sure monitor is turned on to use the system. It may be necessary to move the wireless transmitter and wireless receiver to get the best operating conditions.

Receiver and Transmitter Features:

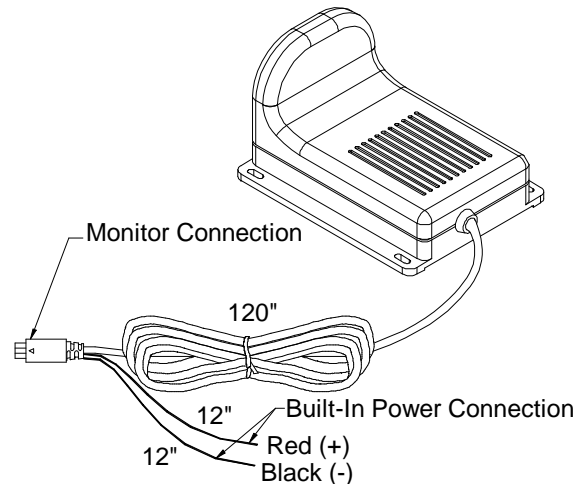
Transmitter View

- Connectable to the AOC75/AOC100 CDC camera
- 0 dBm Output Level
- Automatic electronic channel provides a memory
- Compact and lightweight design simplifies installation in most vehicles.
- Built-in audio circuit for audio pickup
- Superior quality reception is due to FM rather than AM signal modulation.



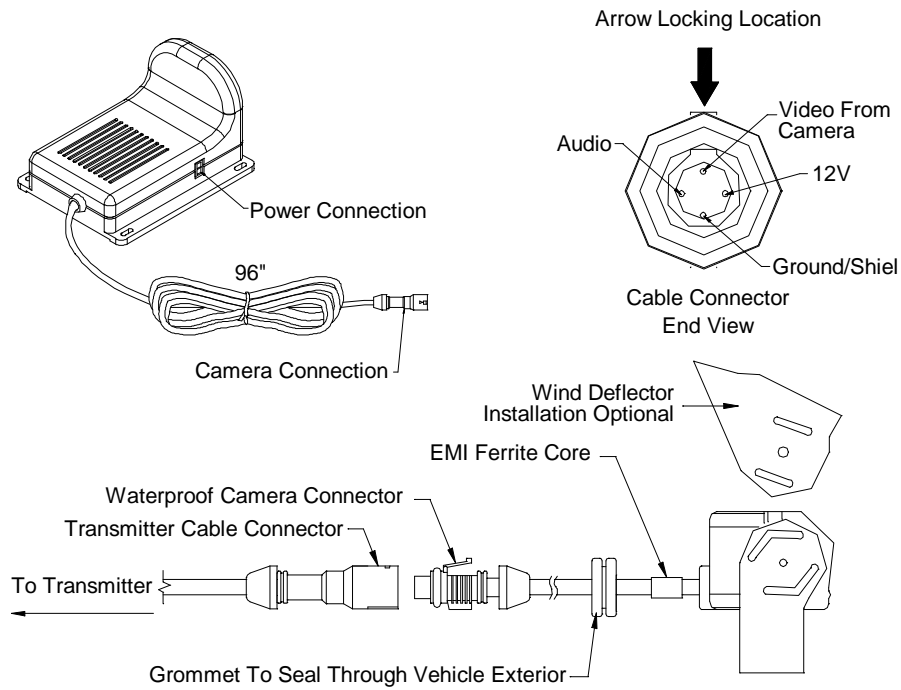
Receiver View

- Adapt high RF technical for EIA. This EIA would be used in the United States, and other countries.
- Connectable with AOM70 Monochrome 7.0" Monitor/AOM53 5" Monochrome monitor
- Channel Memory
- Fixed receiving antenna

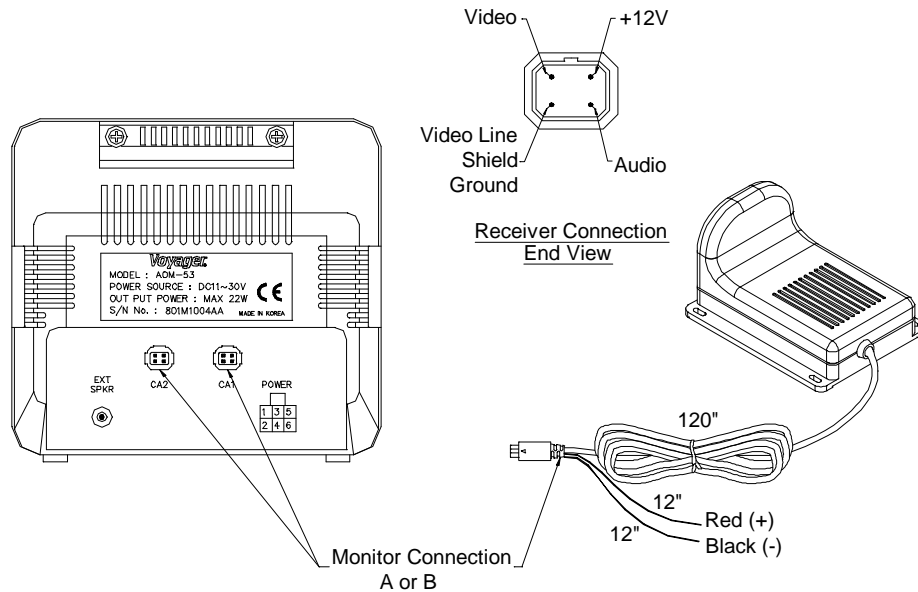


Receiver and Transmitter Connections:

Transmitter connection to camera



Receiver connection to monitor



Troubleshooting:

If the system does not function properly, check the following points before contacting the service center.

- NO POWER- Power cable not plugged in or improper monitor connection
- POOR RECEPTION- Improper antenna direction. See figure 1.
- PICTURE FLICKERING- Strong spotlight in the field of view
- DIM PICTURE, PICTURE TOO BRIGHT OR TOO DARK- Improper brightness control setting on your monitor or lighting source in the field of view.
- PICTURE SMALLER THAN SCREEN- Car battery voltage may be too low.

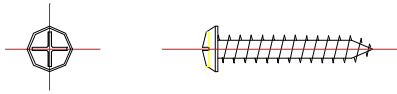
Caution:

The Voyager Wireless System (WOS500) has been designed to provide years of trouble free operation. To prevent fire or shock hazard, do not expose this product to rain or moisture. This product is not for use in a wet basement or in or around a swimming pool. To avoid electrical shock, do not open the case of this product. Operate this product using only a 12VDC power supply. The servicing of this product should be left to qualified personnel only. Be sure only one receiver is connected to one monitor.

Maintenance:

- Remove dust and dirt with a damp soft cloth.
- Heavier dirt should be removed with a damp cloth and a mild detergent.
- Do not use strong cleaning agents containing gasoline, thinner, benzene or alcohol.

Hardware Package Contents:

Quantity
8

Screw, #4 x 3/4" Pan Head Phillips, Self-Drilling

Accessory List:

Description	Part Number	Price
AVT-988 9" Color Television with Remote (12V)	AVT988	\$320.00
AVT-597 5" Color Television with Remote (12V)	AVT597	\$320.00
AVT-1498 13" Color Television with Remote (12V)	AVT1498	\$350.00
AVP-7000 Video Cassette Player (12V)	AVP7000	\$270.00
BPA-501-12 4 Amp Adapter for use with AVT-988 9" and AVT-1498 13" Televisions	0891412	\$45.00
AC2A- 2 Amp Adapter for use with AVT-597 5" TV and AVP-7000 Video Cassette Player	0891436	\$35.00
Unified Remote Control	0892325	\$45.00
VAC-21- 12 Volt Corded Vacuum	VAC21	\$35.00
AVF-1 12 Volt Rechargeable Flashlight	AVF1	\$25.00
HP-175 Headphones with Pivoting Ear Cup	HP175	\$11.75
HP-275 Headphones with Volume Control on Cord	HP275	\$16.00
HP-375 Studio Quality Headphones	HP375	\$14.00

Unlike household electronics, all of our products have been specifically tested for the mobile environment and are only available through ASA. To order any of these products, please contact Audiovox Specialized Applications at www.entertainment-to-go.com or 800-688-3135.

*Prices subject to change

Specifications:

Transmitter

Video Carrier Output Level	0 dBm
Operating Frequency	2410 MHz
Modulation	FM- audio and video
Video Input Level	1 Vp-p
Audio Input Level	1 Vp-p
Power Supply	12VDC, (without camera)
Dimensions	3.7" W x 4.725" L x 2.165" H
Weight	300g
Camera Device	AOC75/AOC100 (not supplied)

Receiver

Receiving frequency	2410 MHz
Video Output Level	1 Vp-p
Audio Output Level	0.1 Vrms
Video Carrier Input Level	-75 to -30 mA
Power Supply	12VDC, 320 mA
Dimensions	3.7" W x 4.725" L x 2.165" H
Weight	300g
Monitor Device	AOM70/AOM53 (not supplied)

***Specifications may change without notice**



AUDIOVOX *S*PECIALIZED **A**PPPLICATIONS, L.L.C.