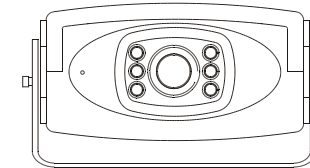




Voyager®

OBSERVATION SYSTEM VBC-130

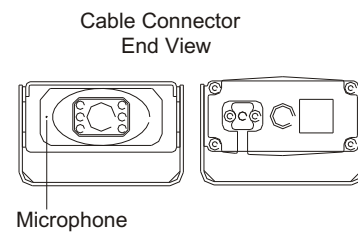
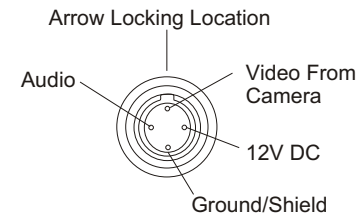
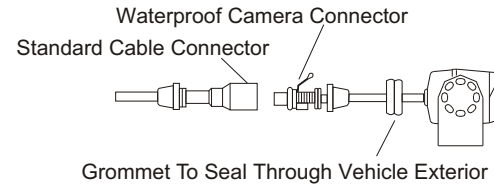


- VBC-130 Features:
- High Resolution, 1/3" CCD B/W Camera
 - Compact / Lightweight Aluminum Die Cast Body
 - Waterproof Housing
 - Waterproof Microphone
 - Adjustable Mounting Angle
 - Wide Angle Lens

Audiovox Specialized Applications, LLC
www.asaelectronics.com

Contents:
Camera
Bracket
Hardware Kit

Installation and Pin Out:

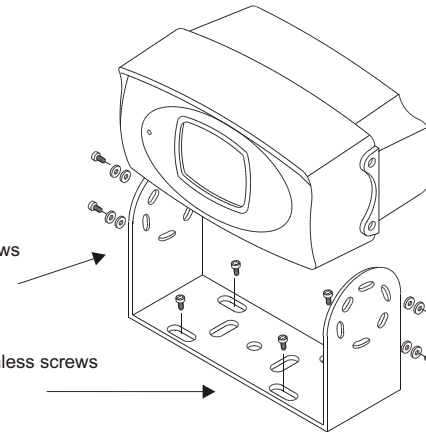


Installation

Screw For Use

- Hex Socket Head M4X10L Stainless screws
- Spring Washers 4X7X1.2mm Stainless
- Flat Washers 4x10x.5mm Stainless
- Allen wrench

- Tapping P/H W/Washer 5X16mm Stainless screws
- Machine Screw T/H M5X16mm Stainless
- Locking nuts M5 stainless



Camera to bracket hardware

Specifications	Q'ty
Hex Socket Head M4X10L Stainless screws	4
Spring Washers 4X7X1.2mm Stainless	4
Flat Washers 4x10x.5mm Stainless	4
Allen wrench	1

Bracket to vehicle hardware

Specifications	Q'ty
Tapping P/H W/Washer 5X16mm Stainless screws	4
Machine Screw T/H M5X16mm Stainless	4
Locking nuts M5 stainless	4

Specifications

- Signal System : EIA
- Image Sensor : 1/3" B/W CCD W/electronic auto-iris
270K picture elements
- Viewing Angle : 104 (H), 78 (V)
- Outer Dimensions : 100(W) X 55(H) X 55(D) mm
4.0 (W) X 2.2(H) X 2.2(D) Inch
- Weight : 0.5kg/ 1.0lbs

* Specifications are subject to change without notice.