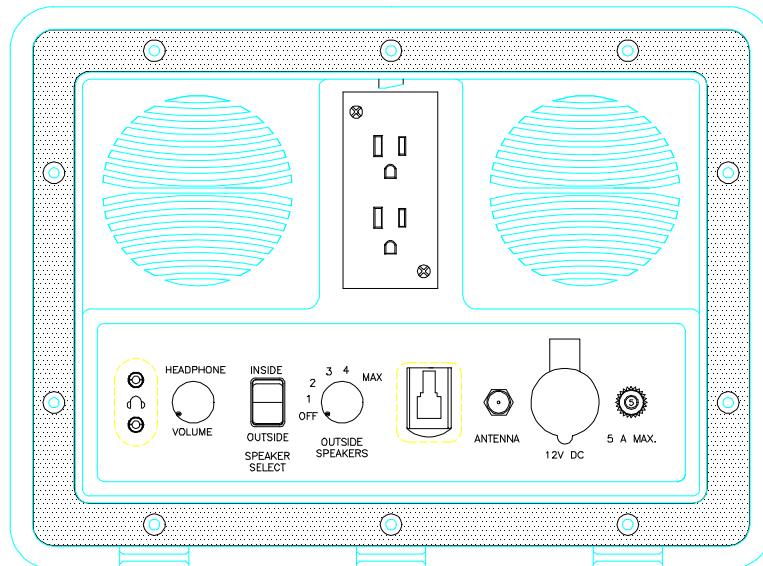




**A**UDIOVOX **S**PECIALIZED **A**PPPLICATIONS, L.L.C.

## OEC1500 SERIES Outside Entertainment Center Owner's Manual



Audiovox Specialized Applications, LLC  
23319 Cooper Dr.  
Elkhart, IN 46514  
1-800-688-3135  
[www.asaelectronics.com](http://www.asaelectronics.com)

## Features:

OEC-1500 Series:

Model OEC-1500 white with thumb lock

Model OEC-1501 white with key lock

Model OEC-1502 white with key lock\*\*

\*\* Items marked below with \*\* are not featured on the OEC-1502

Model OEC-1505 gray with thumb lock

Model OEC-1506 gray with key lock

- Weather-resistant, UV stable housing
- Durable polycarbonate construction
- Two full-range plastic cone speakers
- 110 volt AC connection\*\*
- Two headphone jacks for personal listening\*\*
- Headphone volume control\*\*
- Speaker selector switch
- Outside speaker volume control
- Phone jack connection\*\*
- Antenna/cable connection
- 12 volt DC power connection with 5-amp re-settable circuit breaker

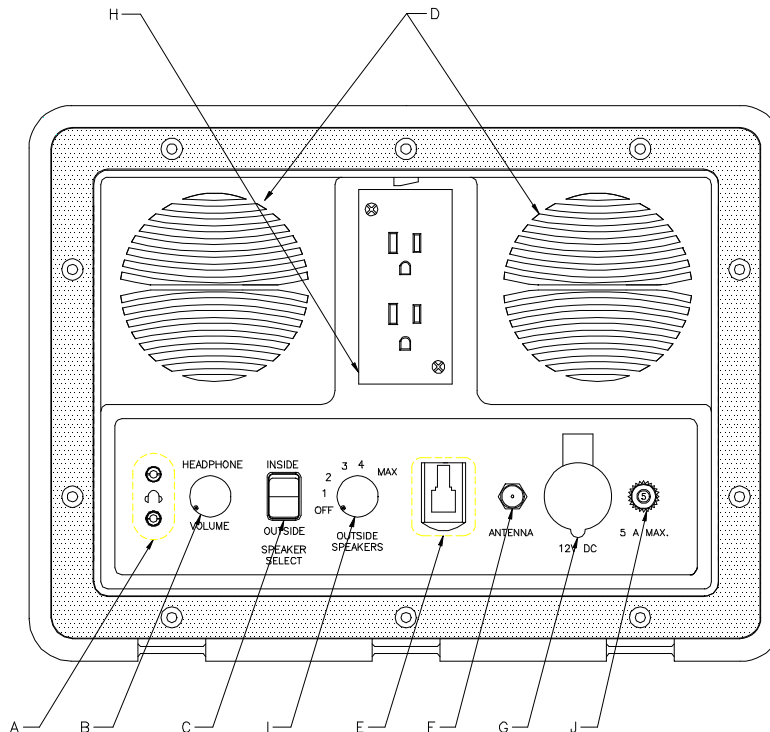


Figure 1

## OEC-1500 SERIES OPERATIONS MANUAL (See Figure 1)

The OEC-1500 Series has been carefully designed to provide years of trouble-free operation. This manual contains instructions to simplify operation.

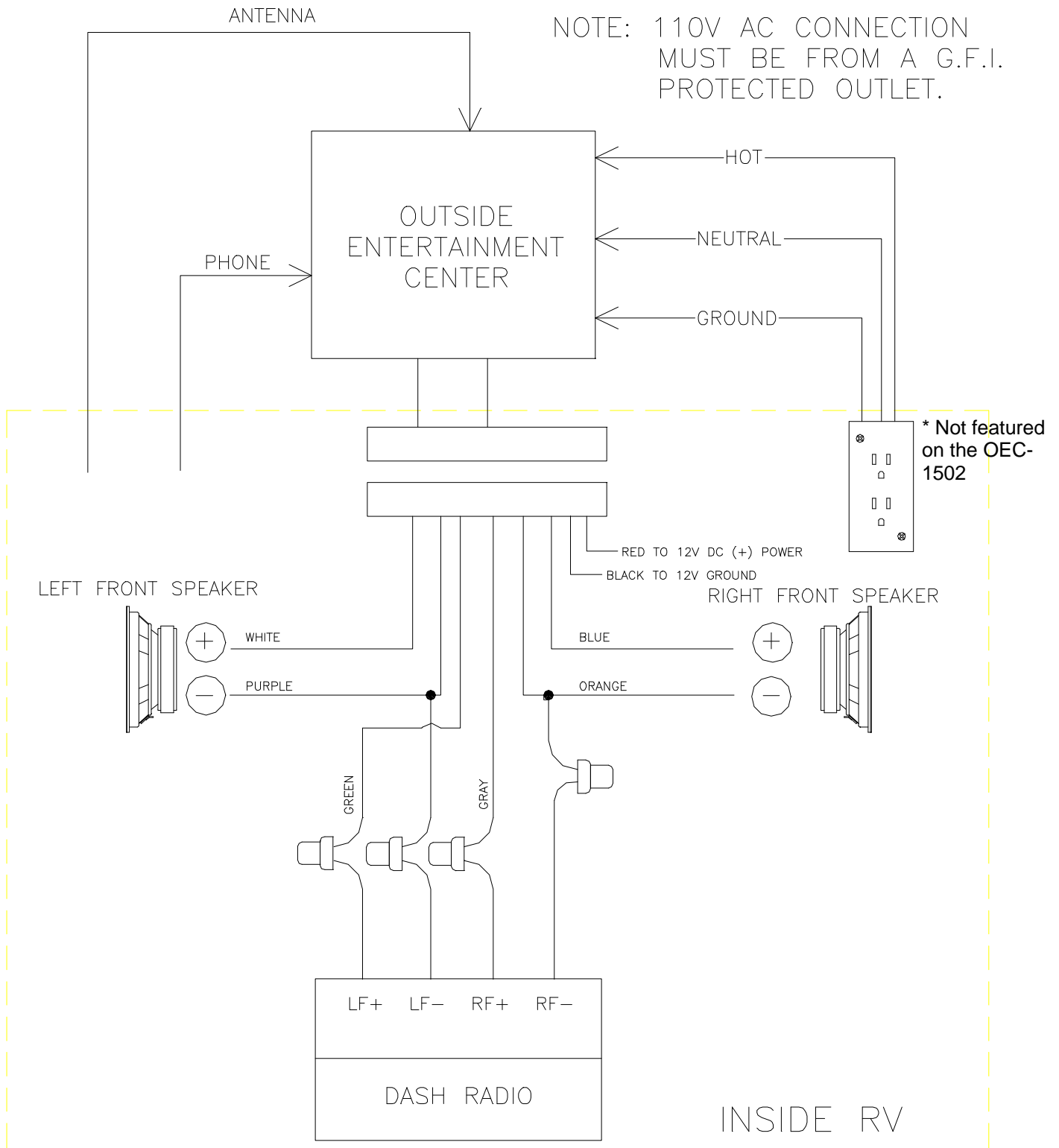
The diagram below explains the function and operation of each control.

- A) Headphone jacks.** These are 1/8" stereo mini jacks for personal headphone listening. They are fed from the internal radio. If the internal radio is "OFF", or turned down, the headphone jacks will not work.
- B) Headphone volume.** Rotary control adjusts the volume of the headphone jacks. As before, if the internal radio is turned down then control will not operate.
- C) Speaker select.** Two-position switch toggles the inside and outside speakers on and off. If switch is in the "INSIDE" position, then the inside speakers will be on and the outside speakers will be off. If switch is in the "OUTSIDE" position, the inside speakers will be off and outside speakers will be on. If the internal radio is off or turned down, neither the outside nor the inside speakers will play.
- D) Outside speakers.** Two full range speakers are fed from the internal radio. Speaker cones are plastic, which resist moisture.
- E) Phone jack.** Jack allows connection to an outside phone line.
- F) Antenna jack.** Jack allows connection from roof antenna to an outside television. It is limited by the circuit breaker to 5 amps max.
- G) 12V Power Outlet.** Provides 12VDC of power to items requiring less than 5 amps. If more than 5 amps are drawn, the circuit breaker, item J, will trip. This is intended for automotive appliances such as televisions, radios, and accessories.
- H) 110 volt AC Power.** Receptacle is powered from the internal generator or "shore" power. Code requires that it be GFI (Ground Fault Interrupter) for safety. Receptacle is current limited by the GFI.
- I) Speaker volume.** Five-position switch controls the volume of the outside speakers from fully on to fully off in incremental steps. The volume is also controlled by the internal radio volume control.
- J) 5 Amp Re-settable Circuit Breaker**

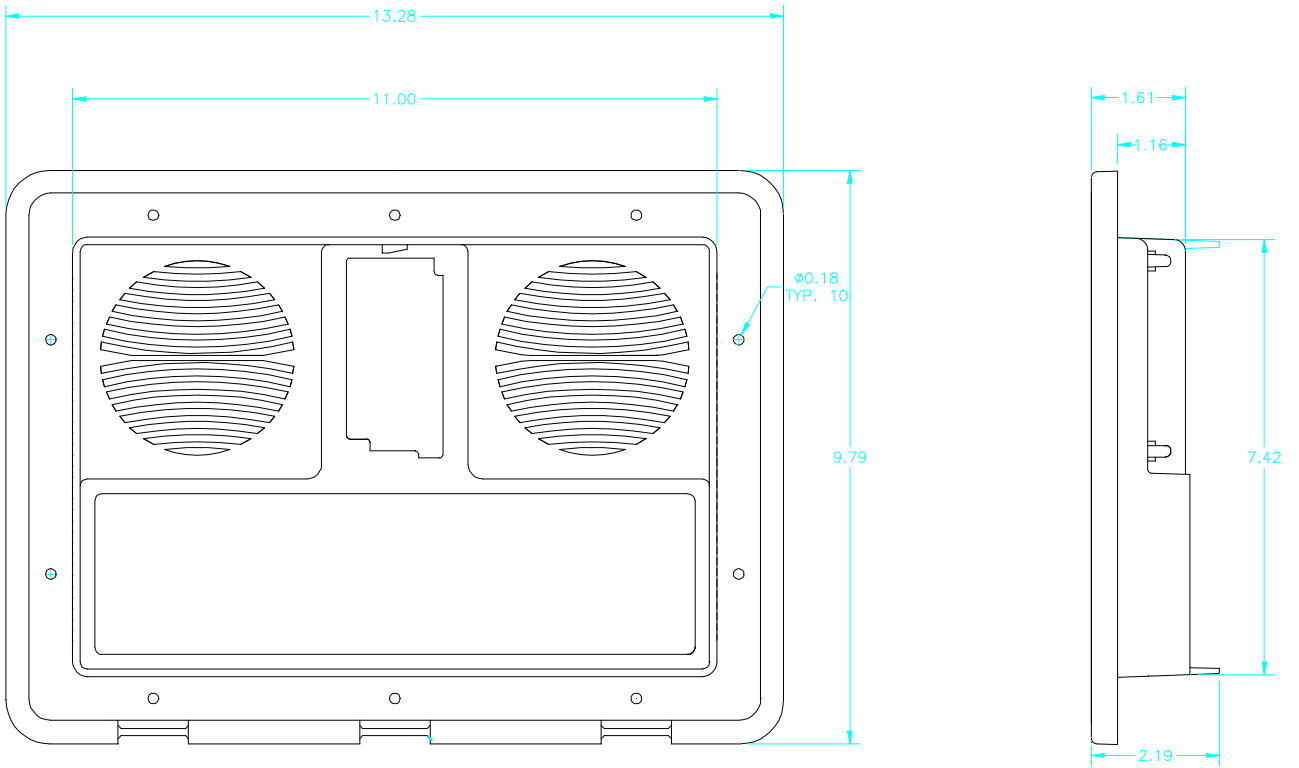
**Note:** Items A, B, E, H are not featured on the OEC-1502

# SPEAKER CONNECTIONS

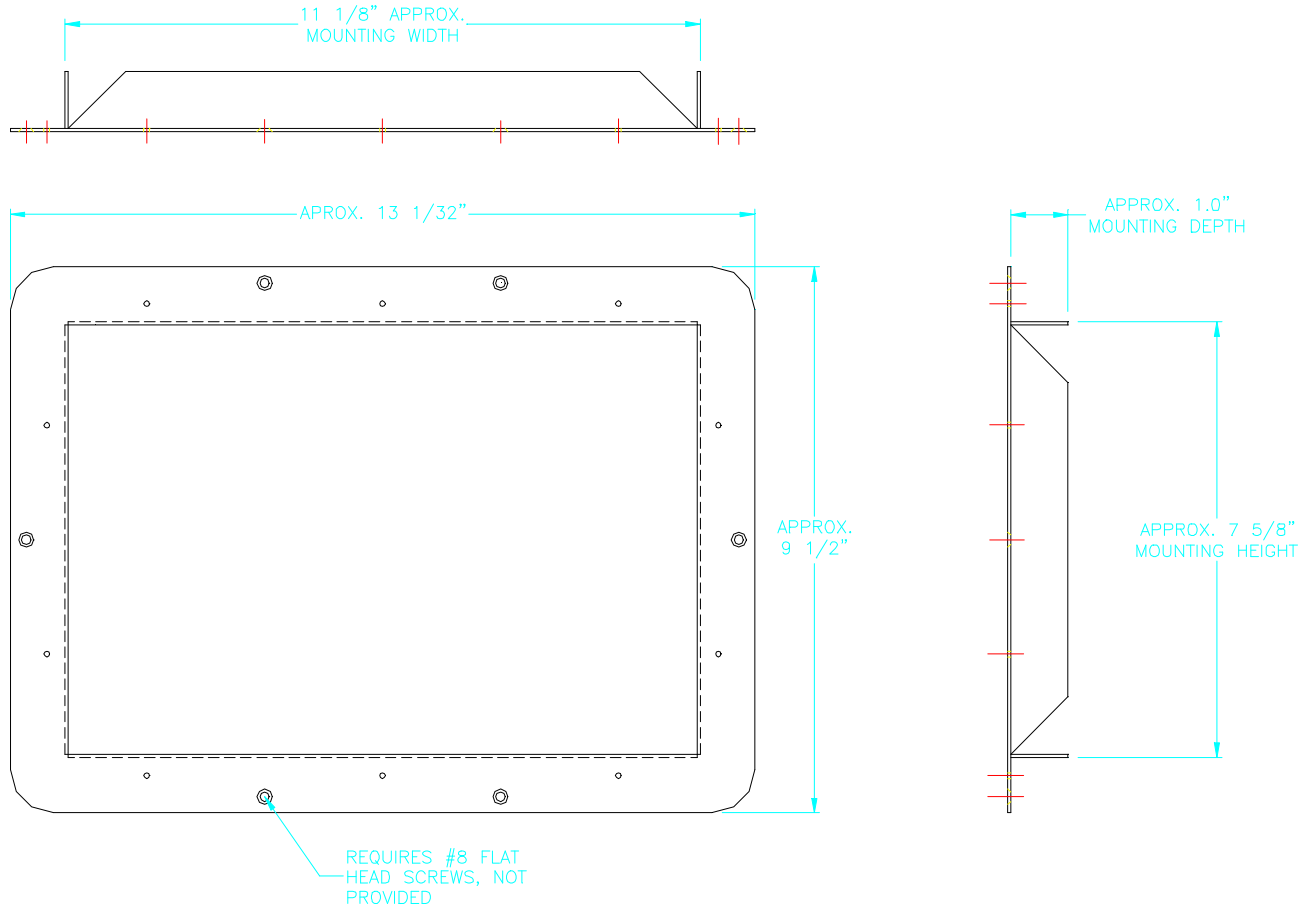
NOTE: 110V AC CONNECTION MUST BE FROM A G.F.I. PROTECTED OUTLET.



# O.E.C. MOUNTING DIMENSIONS



# MOUNTING RING DIMENSIONS



## Installation:

The mounting ring is required for various wall types. Please see above drawing for cutout size; use mounting ring as a template. The mounting ring part number is 8001650.

## Warning:

The mounting ring is designed to help installation of the O.E.C. to irregular surfaces such as aluminum siding. The installer must determine suitable sealing material such as gasketing or caulking. To prevent leakage and/or improper door latching, it is important to maintain a flat mounting surface for the entertainment center. Do not over drive the screws and deform the mounting ring.

## Accessory List

Description	Part Number
AVT-988 9" Color Television with Remote (12V)	AVT988
AVT-597 5" Color Television with Remote (12V)	AVT597
AVT-1498 13" Color Television with Remote (12V)	AVT1498
AVP-7000 Video Cassette Player (12V)	AVP7000
Wireless Headphone Kit: Includes 2 sets Wireless Headphones and Transmitter	WRFKIT1
AVP-7285 Video Cassette Player (12V)	AVP7285
BPA-501-12 4 Amp Adapter for use with AVT-988 9" and AVT-1498 13" Televisions	0891412
AC2A- 2 Amp Adapter for use with AVT-597 5" TV and AVP-7000 Video Cassette Player	0891436
Unified Remote Control	0892325
VAC-21- 12 Volt Corded Vacuum	VAC21
AVF-1 12 Volt Rechargeable Flashlight	AVF1
HP-175 Headphones with Pivoting Ear Cup	HP175
HP-275 Headphones with Volume Control on Cord	HP275
HP-375 Studio Quality Headphones	HP375

Unlike household electronics, all of our products have been specifically designed and tested for the mobile environment and are only available through ASA. To order any of these products, please contact Audiovox Specialized Applications at [www.asaelectronics.com](http://www.asaelectronics.com) or 800-688-3135.

**ASA**

**A**UDIOVOX **S**PECIALIZED **A**PPPLICATIONS, L.L.C.