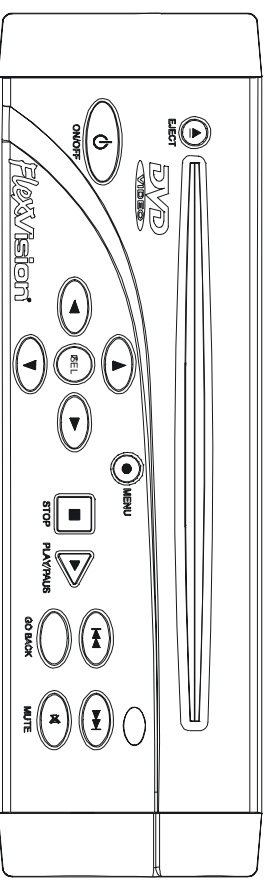


FlexVision®

DVD4000

12V Automotive DVD Player



AUDIOVOX  **SPECIALIZED APPLICATIONS, LLC**

ASA

The Mobile Electronics Company

www.asaelectronics.com

Using Your FlexVision DVD4000

Features

- Automotive-grade DVD mechanism
- Full-function faceplate controls
- Back-lit control buttons
- Wireless remote control (included)
- Compatible with Flexvision flat-panel TV products
- Line-level A/V output

CAUTIONS AND WARNINGS

To obtain the best results and to avoid malfunctions, PLEASE READ CAREFULLY THE DESCRIPTIONS AND OPERATING PROCEDURES CONTAINED IN THIS OWNER'S MANUAL PRIOR TO OPERATING THE VIDEO CASSETTE PLAYER.

IMPORTANT NOTICES

- It is unlawful in most jurisdictions for a person to drive a motor vehicle which is equipped with a television viewer or screen that is located in the motor vehicle at any point forward of the driver's seat or that is visible, directly or indirectly, to the driver while operating the vehicle. Furthermore, and in the interest of safety, this VCP should never be connected to a video monitor that is installed in a location where it will be visible, directly or indirectly, by the operator of the motor vehicle.
- Please note that the state of Rhode Island forbids the installation of such a device in a motor vehicle.

WARNING: TO PREVENT FIRE OR ELECTRIC SHOCK, DO NOT EXPOSE THIS APPLIANCE TO RAIN OR MOISTURE.

For your protection, record the model and serial numbers of your video cassette player here. In the event your player requires servicing or is stolen, you may need this information. You may also wish to clip or staple your sales receipt to this page.

Model Number: DVD4000

Serial Number: _____

Date Purchased: _____

Store's Name and Address: _____

WARRANTY

90 DAY / 12 MONTH LIMITED WARRANTY

AUDIOVOX SPECIALIZED APPLICATION, LLC (the Company) warrants to the original retail purchaser of this product that should this product or any part thereof, under normal use and conditions, be proven defective in material or workmanship within 90 days from the date of original purchase, such defect(s) will be repaired or replaced (at the Company's option) without charge for parts and repair labor. After the initial 90 day period and for a period of 12 months from the date of original purchase, the Company will supply at no charge a replacement for any defective part(s), but will charge for the labor to repair the product.

To obtain repair or replacement within the terms of this warranty, the product is to be delivered with proof of warranty coverage (e.g. dated bill of sale), specification of defect(s), transportation prepaid, to an approved warranty station, or the Company at the address shown below.

This warranty does not extend to the elimination of externally generated static or noise, to the correction of antenna problems, to costs incurred for removal or reinstallation of the product, or to damage to any tapes, speakers, accessories, or electrical systems.

This warranty does not apply to any product or part thereof which, in the opinion of the Company, has been damaged through alteration, improper installation, mishandling, misuse, neglect, or accident. THE EXTENT OF THE COMPANY'S LIABILITY UNDER THIS WARRANTY IS LIMITED TO THE REPAIR OR REPLACEMENT PROVIDED ABOVE, AND, IN NO EVENT, SHALL THE COMPANY'S LIABILITY EXCEED THE PURCHASE PRICE PAID BY THE PURCHASER FOR THE PRODUCT.

This warranty is in lieu of all other express warranties or liabilities. ANY IMPLIED WARRANTIES, INCLUDING ANY IMPLIED WARRANTY OF MERCHANTABILITY, SHALL BE LIMITED TO THE DURATION OF THIS WARRANTY. ANY ACTION FOR BREACH OF ANY WARRANTY HEREUNDER INCLUDING ANY IMPLIED WARRANTY OF MERCHANTABILITY MUST BE BROUGHT WITHIN A PERIOD OF 30 DAYS FROM THE DATE OF ORIGINAL PURCHASE. IN NO CASE SHALL THE COMPANY BE LIABLE FOR ANY CONSEQUENTIAL OR INCIDENTAL DAMAGES FOR BREACH OF THIS OR ANY OTHER WARRANTY, EXPRESS OR IMPLIED, WHATSOEVER. No person or representative is authorized to assume for the Company any liability other than that expressed herein in connection with the sale of this product.

Some states do not allow limitations on how long an implied warranty lasts or the exclusion or limitation of incidental or consequential damages so the above limitations or exclusions may not apply to you. This warranty gives you specific legal rights and you may also have other rights which vary from state to state.

AUDIOVOX SPECIALIZED APPLICATIONS, LLC

Visit us at www.asaelectronics.com


SPECIFICATIONS

Operation Temperature	• -20 ~ 65° C
Storage Temperature	• -40 ~ 85° C
Video Display System	• NTSC
Current Draw	• 1.5A
Weight	• 2.9 Lbs
Overall Dimensions	• 2 x 8.6 x 11.8 Inch (H x W x D)
Supported Formats	• DVD, CD Audio, MP3
Media Type	• CD, CD-Rom, CDR, CDR-W

TABLE OF CONTENTS

Safety Instructions	1
Features and Package Contents	2
Installation	3
Standard Connections	4
Installation User Kits	5
Front Panel Controls	6
Remote Control Functions	8
How to Operate DVDs	12
Main Menu Operation	16
• DVD Main Menu	16
• Audio CD or MP3 Main Menu	19
Troubleshooting	21
Specifications	23
Warranty	24

- 1 Read Instructions** - All the safety and operating instructions should be read before operating the DVD player.
- 2 Retain Instructions** - The safety and operating instructions should be retained for future reference.
- 3 Heed Cautions and Warnings** - All cautions and warnings regarding the DVD player should be adhered to.
- 4 Cleaning** - Unplug or turn off vehicle power to the DVD player before cleaning. Do not use liquid cleaners or aerosol cleaners. Use only a damp cloth for cleaning.
- 5 Use in Vehicles** - The DVD player must be securely fastened.
- 6 Ventilation** - Slots and openings in the cabinet are provided for ventilation to ensure reliable operation of the DVD player and to protect it from overheating.
- 7 Power Sources** - The DVD player should be operated only from a twelve volt negative ground source.

SYMPTOM	POSSIBLE CAUSE	SOLUTION
The OSD menu is in a foreign language.	<ul style="list-style-type: none"> • Incorrect OSD language 	<ul style="list-style-type: none"> • Change OSD language selection.
The  symbol appears	<ul style="list-style-type: none"> • Requested function not available at this time 	<ul style="list-style-type: none"> • Certain functions may be disabled by the DVD itself during passages of a disc.
Picture is displayed in the wrong aspect ratio	<ul style="list-style-type: none"> • Incorrect match of aspect-ratio settings to disc 	<ul style="list-style-type: none"> • Change aspect ratio settings.
Remote control inoperative	<ul style="list-style-type: none"> • Weak batteries • Sensor is blocked 	<ul style="list-style-type: none"> • Change both batteries. • Clear path to sensor.
The picture has occasional distortion	<ul style="list-style-type: none"> • Damaged disc 	<ul style="list-style-type: none"> • Make sure the disc is free from scratches and dirt.
Brightness is unstable or noises are produced on video	<ul style="list-style-type: none"> • Copy protection 	<ul style="list-style-type: none"> • Connect the DVD4000 directly to the TV/monitor. The effect is caused by copy protection circuitry required on all DVD players.
MP3 discs won't read or they skip	<ul style="list-style-type: none"> • Incorrect record format 	<ul style="list-style-type: none"> • Make sure CD is not recorded with variable bit rate. • Re-record the CD at a slower rate.

TROUBLESHOOTING

SYMPTOM	POSSIBLE CAUSE	SOLUTION
Unit does not turn on.	<ul style="list-style-type: none">• Main Power Switch turned off• No power	<ul style="list-style-type: none">• Press in Main Power Switch.• Check fuses and that the ACC power is on.
Disc does not play.	<ul style="list-style-type: none">• Disc is loaded improperly• Incorrect disc type• Invalid Region Code• Rating is above parental preset• Dirty disc	<ul style="list-style-type: none">• Load disc label-side up.• Check to see that disc is CD, CD-R, CD-RW, VCD, MP3-CD, DVD-R, and DVD-RW or DVD-Movie; other types will not play.• Use Region 1 disc only.• Enter password to override or change rating settings.• Make sure the disc is free from scratches and dirt.
No picture.	<ul style="list-style-type: none">• Intermittent connections• Wrong input on monitor	<ul style="list-style-type: none">• Check all video connections.• Check input selection of TV or receiver.
No sound.	<ul style="list-style-type: none">• Intermittent connections.• Incorrect digital audio selection• DVD disc is in fast or slow mode	<ul style="list-style-type: none">• Check all audio connectors.• Check digital audio settings.• There is no audio playback on DVD discs during fast or slow modes.
Picture is distorted or jumps during fast forward or reverse play.	<ul style="list-style-type: none">• MPEG-2 decoding	<ul style="list-style-type: none">• It is a normal artifact of DVD playback for pictures to jump or show some distortion during rapid play.
Some remote buttons do not operate during DVD play; prohibited symbol appears (see next page)	<ul style="list-style-type: none">• MPEG-2 decoding	<ul style="list-style-type: none">• It is a normal artifact of DVD playback for pictures to jump or show some distortion during rapid play.

FEATURES

CONGRATULATIONS on your purchase of the Flexvision DVD4000 automotive DVD player: This product has been designed to give you and your family many years of enjoyment. Please read the directions that follow to familiarize yourself with the product operation and installation procedures.

- **12V, DIN-Chassis DVD player**
- **Automotive-grade DVD mechanism**
- **Full-function faceplate controls**
- **Back-lit control buttons**
- **Wireless remote control (included)**
- **Direct-wire (source-component) compatible with Flexvision flat-panel TV products**
- **Universal line-level A/V output (RCA) use with most TV/Video products**

PACKAGE CONTENTS

- [1] **DVD player**
- [1] **DIN mounting sleeve**
- [1] **Power pigtail harness**
- [1] **RCA patch cord**
- [1] **Wireless (IR) remote control**
- [1] **Mounting Hardware Bag**
- [1] **Owner's Manual / Warranty Card**

Changing the Play Mode of Audio Discs

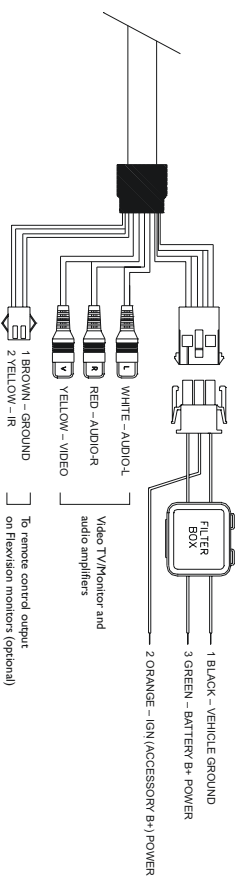
- 1 There are three different play modes available for audio disc:
 - Normal Mode - plays the tracks on disc in the order they appear or, if a playlist is being used, in the order they appear in the list.
 - Shuffle Mode - plays the tracks on the disc or in a playlist in random order.
 - Intro Mode - plays ten seconds of each of the tracks on the disc or in a playlist if one is being used.
- 2 To change the play mode, follow these steps:
 - 1 In the Main menu, highlight Play Mode.
 - 2 The current play mode is displayed next to the option.
 - 3 Press SELECT to display a list of the play modes.
- 3 Highlight the mode that is displayed in the top right corner of the screen and next to the item. The disc starts playing again using the selected play mode.

Using a Playlist

A playlist is a selection of tracks from the full track list of an audio disc. The order that the tracks are selected in is the order in which they are played. A playlist of audio tracks can be created and edited as described below:

- 1 In the Main menu, highlight Playlist. If the Playlist is currently being used, 'On' will be displayed next to the option. Otherwise, 'Off' will be displayed.
- 2 Press SELECT to display the Playlist submenu.
- 3 To create or edit a playlist, highlight Edit: Playlist and press SELECT.
- 4 To add all of the tracks on the disc to the playlist, highlight Add All Tracks to Playlist and press SELECT.
- 5 If a playlist is already setup and is not being Played, highlight Enable Playlist and press SELECT to play it. If a playlist is playing and you want to return to playing the full list of tracks, highlight Disable Playlist and press SELECT.

STANDARD CONNECTIONS



- 1 Connect the power input harness with extension into the pigtail on the back of the chassis. This harness has provision for audio (left and right) and video output as well as input power and a 2-pin wired infrared connection.
- 2 Connect the green wire of the power harness extension to the battery of the vehicle. The orange wire of the power harness extension should be connected to the ignition or switched 12V.
- 3 Connect the composite video output of the DVD player (yellow RCA) to the selected video display.
- 4 Connect the line level audio outputs (left and right) to the corresponding line level audio inputs on the desired audio amplification device. (Typically an audio amplifier or the audio inputs on your TV)

NOTE: A 'noisy' power supply can degrade the performance of your DVD player. Please take steps to ensure that the unit is connected to a power circuit that does not have excessive noise or ripple on it.

- 1 If your vehicle requires the use of an installation kit to mount this DVD player, follow the instructions included with the installation kit to attach the DVD player to the mounting plate supplied with the kit.
- 2 Wire and test the DVD player as described in step 3 on page 3.
- 3 Install the DVD player/mounting plate assembly to the sub-dash according to the instructions of the installation kit.
- 4 Attach the DVD player support strap to the player and the dash board as described in step 5 on page 3.
- 5 Replace the dashboard trim panel.

CAUTION: The rear of the DVD player must be supported with the strap to prevent damage to the dashboard from the weight of the DVD player or improper operation due to vehicle vibration.

Entering a Time to Play

- 1 In the Main menu, highlight Time.
- 2 The time displayed next to the option is the total time of the track for audio discs and the total time of the title for DVDs.
- 3 Press SELECT and enter the time that you want the play to skip to in the format h:mm:ss, for example 0:27:30. This must be less than the total time displayed.

Using Position Markers

The Markers option allows you to set markers at up to five different places on the disc. When you then select a previously set marker, the disc will skip to the place marked. To set a marker, follow these steps:

- 1 In the main menu, highlight Marker.
- 2 Press SELECT to display the Marker submenu.
- 3 Highlight the marker that you want to set. This can be Marker 1 to Marker 5.
- 4 When play reaches the point at which you want the marker to be set, press SELECT. Details of the selected marker are displayed. If you set the marker at the wrong point you can delete it by pressing CLEAR. To delete all of the set markers, highlight Clear All Markers and press SELECT.
- 5 To jump to a marker that you have set, highlight it and press SELECT.

- 3 Press SELECT and enter the number of the chapter, title or track that you want to play using the number buttons on your remote control.
- 4 If there are more than nine available you must enter the number the selected chapter, title or track is played.

Changing the Audio Language

- 1 In the Main menu, highlight Audio.
- 2 Press SELECT to display a list of the audio options.
- 3 Highlight the required language and press SELECT.
- 4 The selected language is displayed in the top right corner of the screen and the audio is changed to the selected language.

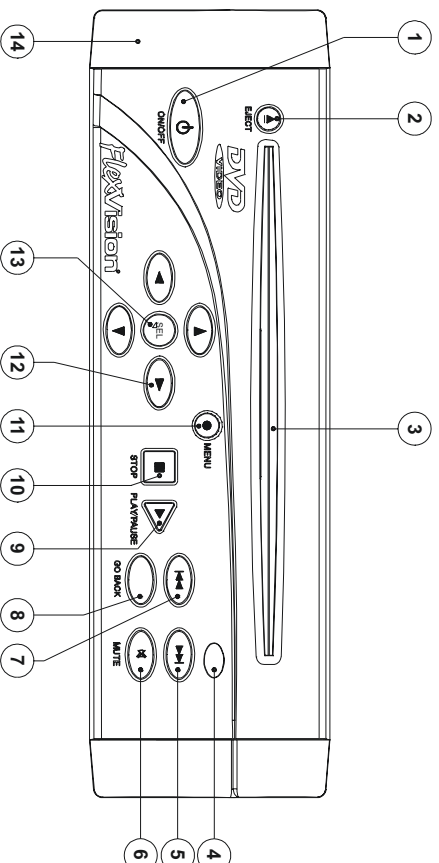
Selecting to View Subtitle

- 1 In the Main menu, highlight Subtitle.
- 2 If subtitles are currently being used the language that they are being shown in is displayed next to the option, otherwise Off is displayed.
- 3 Press SELECT to display a list of the possible subtitle languages.
- 4 Either highlight the required language or highlight Off to remove the subtitles and press SELECT.
- 5 The subtitle selection is displayed in the top right corner of the screen and subtitles are displayed or removed as selected.

Changing the Angle of View

- 1 In the Main menu, highlight Angle.
- 2 The number of the current angle being used is displayed separated from the total number available by a / symbol. For example, 1/2.
- 3 Press SELECT and enter the number of the angle that you want to view. The angles selection is displayed in the top right corner of the screen and the angle of view changes.

NOTE: The angle function will not work unless the DVD disc contains material recorded from multiple angles.



- 1 **POWER**
Press button to turn the power on and off.
- 2 **EJECT**
DVD disc is stopped and ejected by pressing button.
- 3 **DISC OPENING**
With the label surface up, gently insert the disc into the slot until the soft loading mechanism engages and the DVD disc play begins. A DVD disc can be loaded into the player even if the DVD player is turned off.
- 4 **UP CURSOR**
Used to navigate through OSD (On Screen Display) menus.
- 5 **DOWN CURSOR**
Used to navigate through the OSD (On Screen Display) menus.
- 6 **LEFT CURSOR**
Used to navigate through the OSC (On Screen Display) menus.
- 7 **RIGHT CURSOR**
Used to navigate through the OSC (On Screen Display) menus.

- 8 SELECT**
This button is used to choose the highlighted selection from the OSD menu. (If the highlighted selections are numbered the appropriate number key on the remote may be used.)
- 9 MENU**
Select this button to access the DVD menus. Titles and Chapters may be included on the DVD OSD menu press the menu along with Camera Angles, Spoken language, and Sub-title options. To remove the OSD menu press the menu button again.
- 10 STOP**
Pressing this button will stop play of the DVD disc.
- 11 PLAY/PAUSE**
Pressing this button will start the DVD play, pressing again will pause the DVD play.
- 12 PREVIOUS**
Pressing this button will start the play to the previous chapter.
- 13 NEXT**
Pressing this button will skip forward to the next chapter.
- 14 GO BACK**
If pressed in the OSD menu mode this button will return you to the previous screen. This works the same as the RETURN on the remote control.
- 15 MUTE**
Pressing this button will mute the audio output.
- 16 INFRARED SENSOR EYE**
This eye picks up the IR signal from the remote. A blocked 'eye' will not allow the remote to function properly.

- 1** To display the Main Menu for the disc that is playing, press DISPLAY on your remote control.
- 2** The Main Menu can also be displayed in Stop mode by pressing SELECT.
- 3** The Main Menu is available to change the options that effect the way the disc is playing.
- 4** For example, you can change the chapter or track that is playing, or the angle of view for DVDs. The language that the Main Menu options are displayed in is set using the Language options in the Setup Menu.
- 5** The Main Menu consists of three areas:
 - The left panel displays the type of disc that is playing, the current listening mode, in the bottom bar, the track or title and chapter number, the time display, and the bit rate.
 - The bottom bar displays the rack numbers that are playing for an audio disc and the video that is playing for DVDs.
 - The bottom box displays the options that can be changed using the Main menu. These options are detailed in the video that is playing for DVDs.
- 6** To display the Main Menu for the disc that is playing, press DISPLAY on your remote control.
- 7** The Main menu can also be displayed in Stop mode by pressing SELECT.

Selecting a Chapter, Title or Track to Play

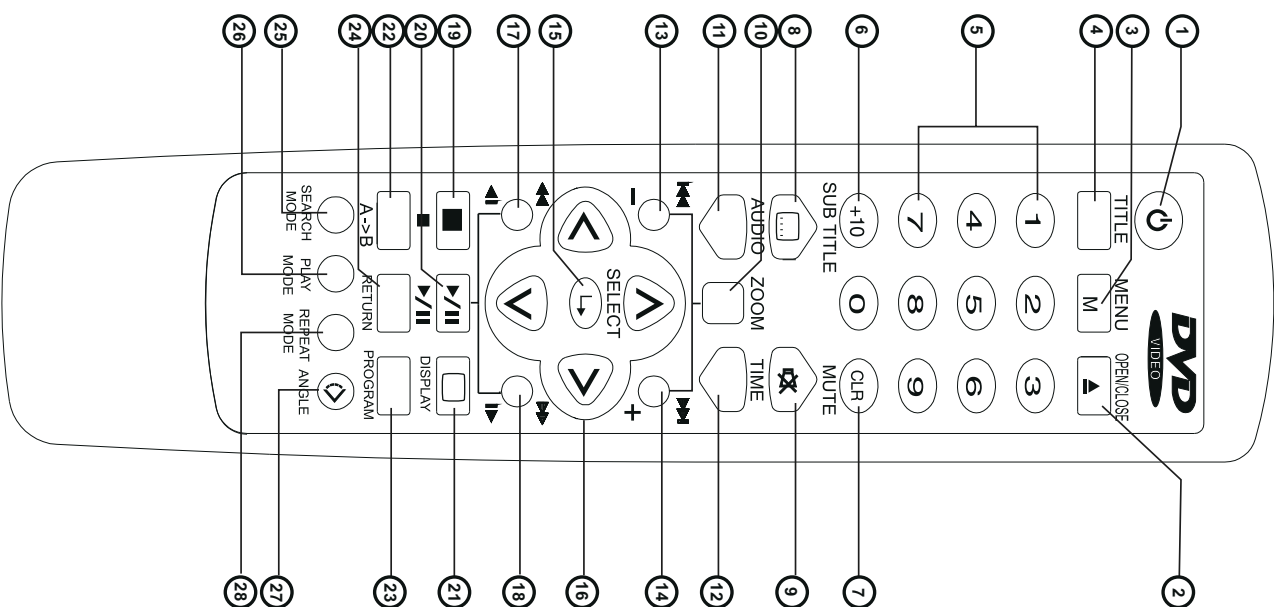
- 1** In the Main menu, highlight one of the following options:
 - Chapter to change the chapter that is being played on a DVD
 - Title to change the title that is being played on DVD
 - Track to change the track that is being played on an audio disk
- 2** The number of the current chapter, title or track being played is displayed separated from the total number available by a / symbol. For example, 06/15.

Repeating a Section of any Disc

- 1 Press A → B once to start selection.
- 2 Press A → B again to finish selection.
- 3 To cancel selection press A → B again.

Playing a Disc at Different Speeds

- 1 The facility is available to play a disc at different speeds in both forward and reverse directions.
- 2 To play the disc at different speeds in a forward direction use the Forward button on your remote control. The speeds that can be achieved are:
 - x2, x4, x8, and x15 for DVDs and video CDs. (For DVDs, at 2x, the subtitles are still displayed.)
 - x2, x3, and x4 for audio discs and mp3s. The audio can still be heard at all speeds.
- 3 To play the disc at different speeds in reverse use the Backward button on your remote control. The speeds that can be achieved in reverse are:
 - x2, x4, x8
 - x2 for audio disc and mp3s. The audio can be heard in reverse at all speeds.



Loading the Batteries into the Infrared Remote Control:

Open the battery compartment cover and insert two 'AAA' batteries inside the battery compartment. Note polarity. Close cover door.

CAUTION: DO NOT MIX OLD AND NEW BATTERIES. NEVER MIX DIFFERENT TYPES OF BATTERIES (STANDARD, ALKALINE, AND SO ON.)

- 1 POWER**
Pressing this button will turn the DVD player on or set the player on standby.
- 2 OPEN / CLOSE**
Pressing this button will open or close disc tray.
- 3 MENU**
Pressing this button will enable user to select DVD main menu.
- 4 TITLE**
Pressing this button will go to the DVD title menu.
- 5 NUMBER (0-9)**
These numeric keys allow you to directly enter the highlighted menu chapter, or track selection.
- 6 +10**
This button will allow you to directly enter the tracks above 10. For instance, track 17 is (+10) then (7). Track 21 is (+10), (+10), then (1).
- 7 CLR (CLEAR)**
Pressing this button will clear track numbers while in track selection or search mode.
- 8 SUBTITLE**
This button controls the language selector and allows you to choose whether subtitles are visible.
- 9 MUTE**
Pressing this button will silence the audio output.
- 10 ZOOM**
Pressing this button will allow you to zoom the video with +/- buttons (13, 14).

Skipping Through the Chapters or Tracks

As you are playing a disc you can skip to the next or to a previous chapter (on a DVD) or track (on a audio disk.). This carried out using the Skip Next and Skip Previous buttons as follows:

- To skip to the beginning of the next chapter or track, press the Skip Next button.
- To skip to the beginning of the current chapter or track, press the Skip Previous button.
- To skip to the beginning of the previous chapter or track, press the Skip Previous button twice.

Using the Repeat Features

The repeat feature allows you to repeat a section of a disc once it has finished playing. The following items can be repeated:

- The entire disc
- A playlist
- A single track
- A single chapter
- A single title
- A section of the disc between two selected points

Repeating a Track, Chapter, or Title

- 1** Play the track, chapter, or title that you want to repeat.
- 2** Press the REPEAT MODE button on your remote control until the required repeat mode is displayed in the top right corner of the screen. This can be Repeat Track, Repeat Chapter, or Repeat Title. When the disc reaches the end of the selected track, chapter, or title, it will start playing it again.
- 3** To stop the track repeating, press the REPEAT MODE button again until Repeat Off is displayed in the top right corner of the screen.

- 19 STOP**
Pressing this button will stop play of the DVD disc.
- 20 PLAY/PAUSE**
Pressing this button will start the play of the DVD disc. Pressing again will pause the DVD disc.
- 21 DISPLAY**
This button turns the on screen display on and off. In stop mode, this button will allow for player settings such as aspect ratio and so on.
- 22 A-> B**
Multiple presses of this button will allow you to repeat a sequence A to B audio or video. To set the beginning, press once, and to set the ending point, press a second time. To cancel the repeat sequence, press a third time.
- 23 PROGRAM**
Pressing this button will allow you to make a favorite program list with program button on CD or on MP3 disc.
- 24 RETURN**
This button will allow you to go back one menu step.
- 25 SEARCH MODE**
This button will allow you to go back one menu step.
- 26 PLAY MODE**
This button selects playing modes such as Shuffle, Intro, and Normal.
- 27 ANGLE**
If the DVD disc contains sequences recorded from different camera angles, pressing the button causes the angle icon to appear and show you the number of camera angles available and allows you to change the angle if you wish. The angle function will not work with DVD discs that do not have recorded multiple angles.
- 28 REPEAT MODE**
This button will select repeat mode such as Repeat disc, Repeat track, and Repeat off.

Playing a Disc

- 1 When you insert the disc it will automatically play if the AutoPlay setup option is turned on.
- 2 If the AutoPlay option is turned off or if you have stopped a disc that was playing, you can restart a disc by pressing the Play/Pause button on the faceplate or your remote control.

Pausing a Disc

To pause a disc that is playing, press the Play/Pause button.

Stopping a Disc

- 1 To stop a disc that is playing, press the Stop button on your remote control.
- 2 For a short amount of time the disc can be restarted in the same place as if Play/Pause had been pressed, by pressing Play/Pause.

Selecting a Section of the Disc to Play

If you do not want to play the entire disc, you can select a section to play using one of the following options:

- For DVDs that are provided with a menu you can select the chapter that you want to view.
- Move to a specific time, title, chapter, or track.
- Skip through the chapters or tracks.
- For audio discs you can create a playlist of selected tracks that you want to play. There are two methods of creating a playlist; a) using playlist and (b) creating a playlist.

Selecting a Chapter Using the DVD Menu

Some DVDs are provided with a menu that, amongst other options, allows you to select a specific chapter to play. To use the DVD menu to select a chapter to play, follow the steps below:

- 1 Press the Menu button on either the remote control or the front panel. The DVD menu is displayed.
- 2 Use the direction arrows to highlight the chapters option in the menu and press SELECT.