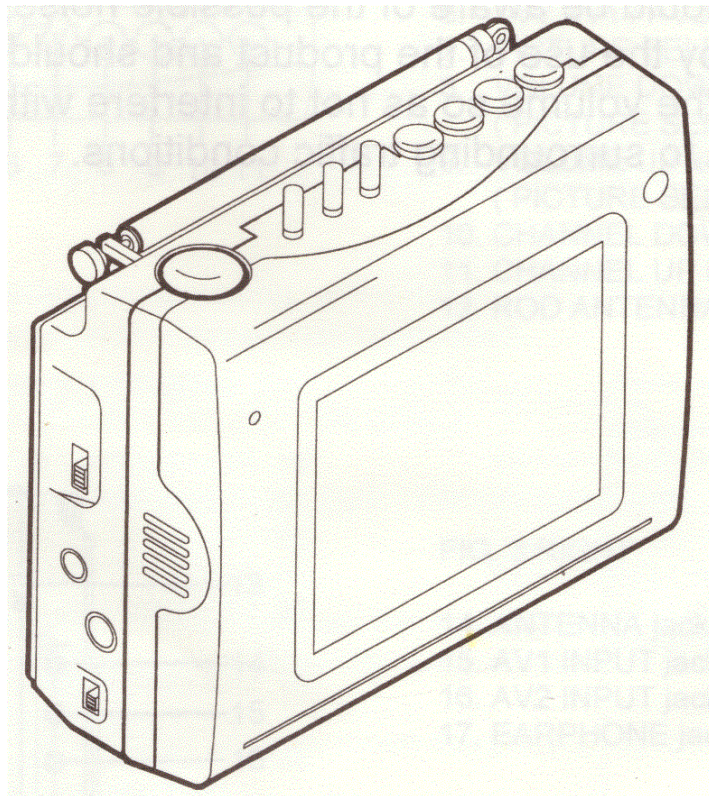


FlexVision®

4"/6" TFT- LCD
COLOR TV

CTV-5040 / 60



INSTRUCTION MANUAL

91-S2-1005

RECOMMENDED GUIDELINES FOR THE USE OF A VIDEO MONITOR/TV IN A MOTOR VEHICLE

- A VIDEO MONITOR/TV is designed for rear passenger viewing only. This product may only be installed in the rear seat compartment of the vehicle, out of the driver's view.
- Installation in any other area of the vehicle, including anywhere within the driver's view, is illegal in most states, provinces and countries and may lead to driver distraction resulting in an accident, injury and/or death. If you are unsure of regulations regarding this, please consult your local laws to determine how this applies to you.
- Users should be aware of possible noise distraction caused by the use of the product and should carefully monitor the volume so as not to interfere with the driver's attention to surrounding traffic conditions.

FUNCTION-----

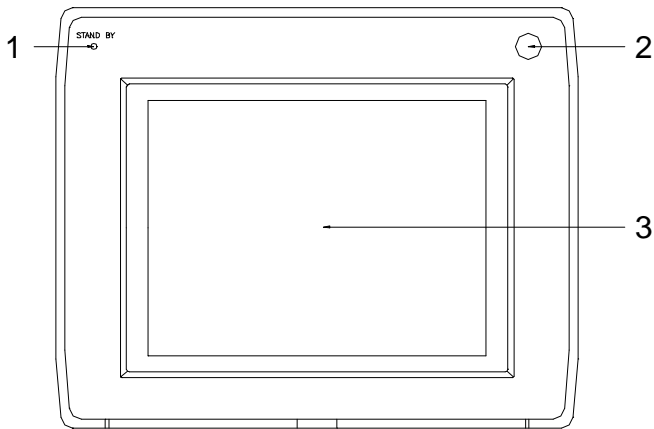


FIG. 1 FRONT

- 1. POWER INDICATOR
- 1. REMOTE CONTROL SENSOR
- 1. SCREEN

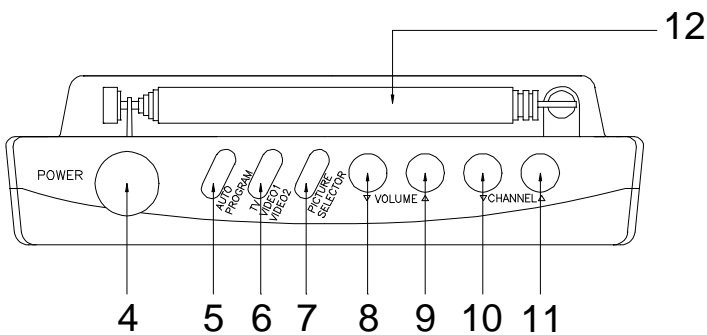


FIG. 2 TOP

- 1. POWER ON / STAND BY key
- 1. AUTO PROGRAM key
- 1. TV / AV1 / AV2 key
- 1. PICTURE SELECT key
- 1. VOLUME DOWN key
(PICTURE SELECT DOWN)
- 1. VOLUME UP key
(PICTURE SELECT UP)
- 1. CHANNEL DOWN key
- 1. CHANNEL UP key
- 1. ROD ANTENNA

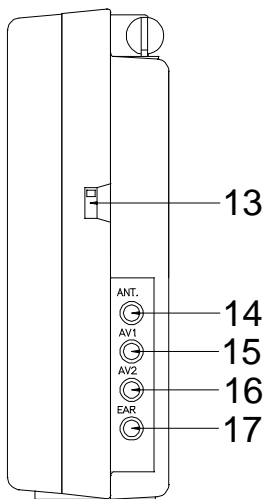


FIG. 3 RIGHT

- 14. ANTENNA jack
- 15. AV1 INPUT jack
- 15. AV2 INPUT jack
- 15. EARPHONE jack

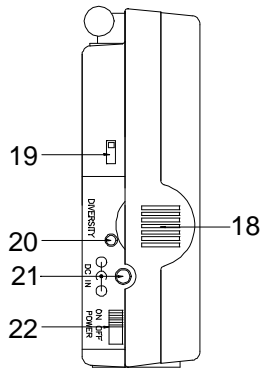


FIG. 4 LEFT

- 18. SPEAKER
- 19. BACKLIGHT HIGH/LOW switch
(Model 5040 only)
- 20. DIVERSITY OUTPUT jack
- 21. DC INPUT jack
- 22. POWER ON / OFF switch

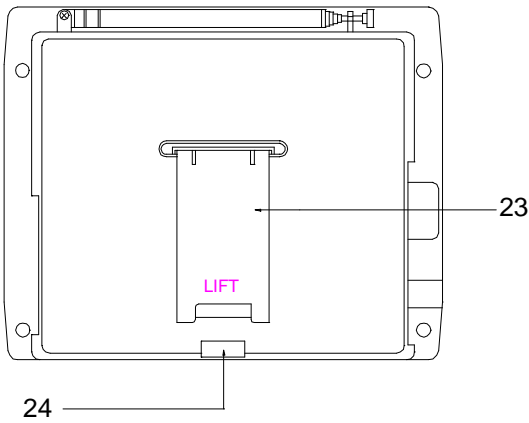


FIG. 5 BACK

- 23. STAND
- 24. FIXING NUT

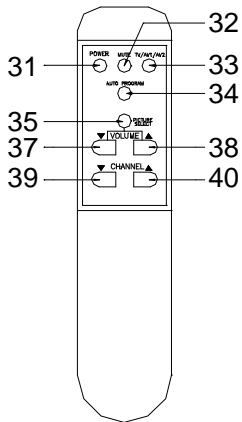


FIG.6 REMOTE CONTROL UNIT

- 31. POWER ON / STAND BY key
- 32. AUDIO MUTE key
- 33. TV / AV1 / AV2 key
- 34. AUTO PROGRAM key
- 35. PICTURE SELECT key
- 37. VOLUME DOWN key
(PICTURE SELECT DOWN)
- 38. VOLUME UP key
(PICTURE SELECT UP)
- 39. CHANNEL DOWN key
- 40. CHANNEL UP key

INSTALLATION-----

POWER

1. One of the following power sources can be used.
 - 1) AC power adapter.
 - 2) Car battery (with car cord connected).
 - 3) 8 x UM-3 batteries (optional battery box used). For longer operation time, the alkaline batteries are recommended and move the BACKLIGHT HIGH / LOW switch (19) to "LO" for power saving. (Model 5040 only)
2. Move the POWER ON / OFF switch (22) to "ON" to make the TV unit at stand-by status. At this time the POWER INDICATOR (1) lights up. Then the remote control unit can work.
3. Press the POWER ON / STAND BY key (4,31) to turn on the TV unit and lighten the screen. The POWER INDICATOR (1) is brighter. Pressing the key (4,31) again will recover the TV unit to stand by.

BACK LIGHT SWITCH (MODEL 5040 ONLY)

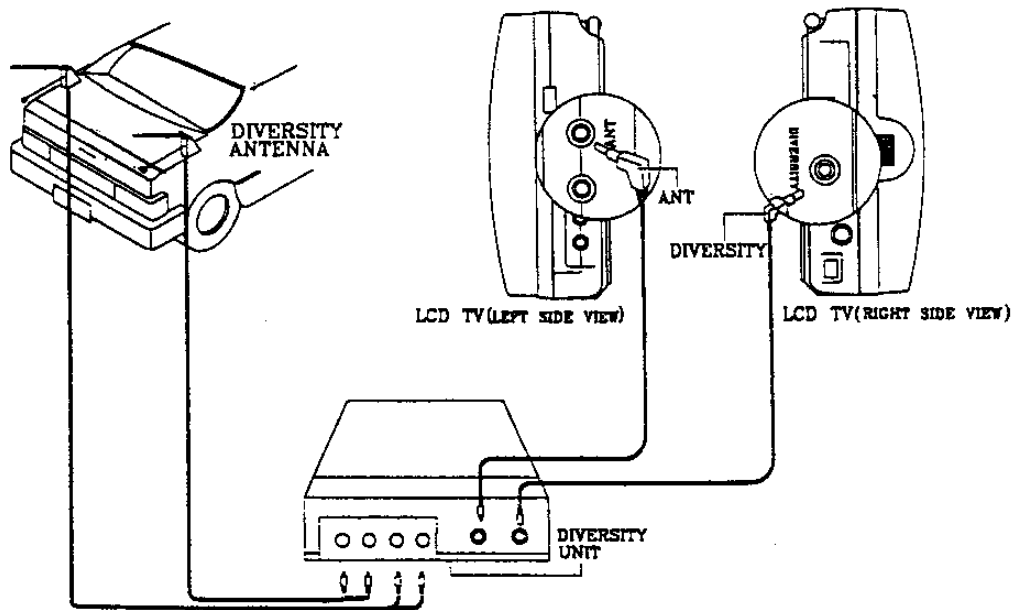
1. Move the BACKLIGHT HIGH / LOW switch (19) to "HI" for normal use.
2. For battery power saving, move the switch (19) to "LO". The luminance of the screen will lower down.

FM TRANSMITTER (for Japan only)

1. Move the TRANSMITTER OFF / FM1 / FM2 switch (13) to "FM1" (or "FM2").
2. Turn on the FM radio and set the same channel frequency to receive FM1 (or FM2) signal. The efficiency distance is about 5m.
3. When the function is unused, move the switch (13) to "OFF".

TV OPERATION-----

1. Pull out the ROD ANT (2) or connect an external antenna to ANT jack (14) for better reception.
2. Used in the vehicle, the diversity unit (with boost function) is recommended to use to improve the reception performance.



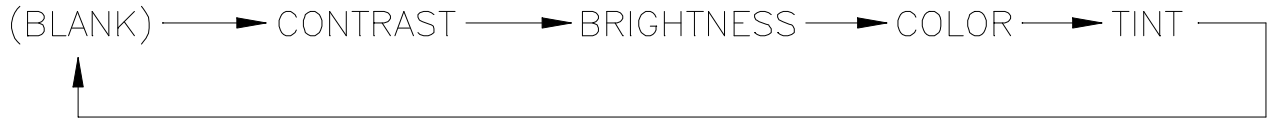
3. Press the TV / AV1 / AV2 key (6,33) to the TV mode.



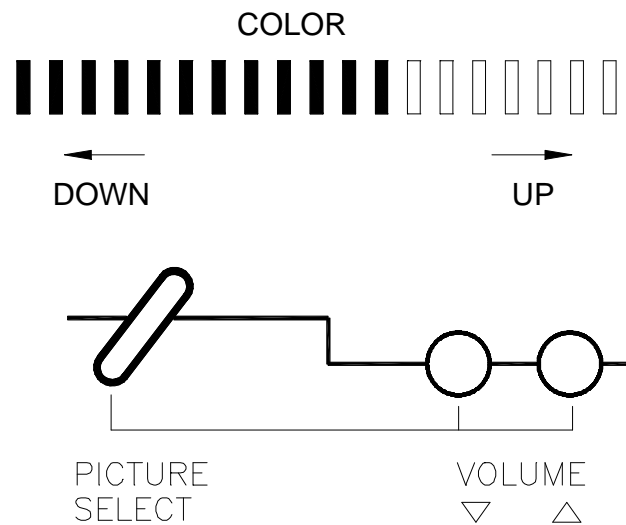
4. Press the AUTO PROGRAM key (5,34) to scan the whole channels and memorize them.
5. Press the CHANNEL UP (11,40) or DOWN (10,39) key to select the desired TV station. If the channel number displayed on the screen has not been memorized. Repeat step 1 to 5 until the number turns green.
6. If the ROD ANT (12) is used, adjust the antenna direction to get the best quality of reception.
7. Adjust the viewing angle. The recommended viewing angle of the TV unit is $+30^\circ \sim -10^\circ$ vertical and $+45^\circ \sim -45^\circ$ horizontal.

8. Picture Adjustment

- 1) Press the PICTURE SELECT key (35) several times, the screen will appear the picture control bar in the following order sequentially.



- 2) Before the disappearance of the PICTURE SELECT UP (VOLUME UP) (9,38) or DOWN (VOLUME DOWN) (8,37), to adjust the picture quality. For example,



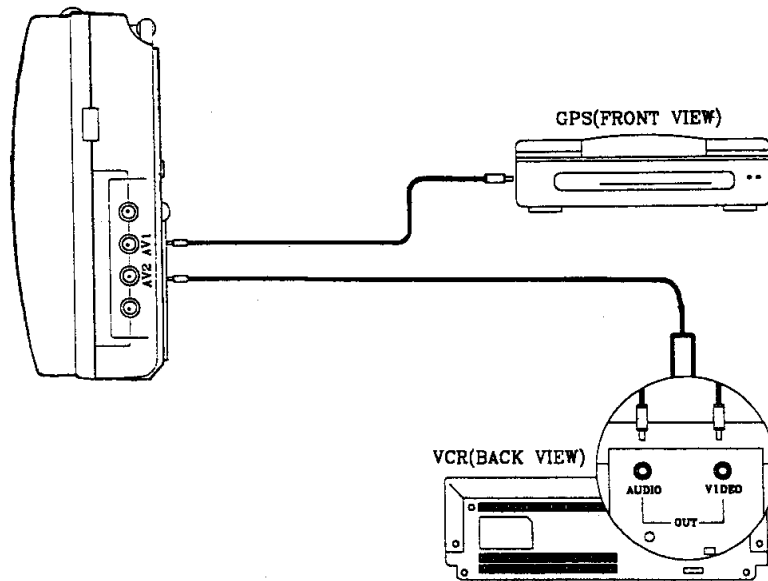
- 3) Press the PICTURE RESET key (36) on the remote control unit to recover the original picture setting.

9. Audio Operation

- 1) Press the VOLUME UP (9,38) or DOWN (8,37) key to adjust the volume output level. If the channel number displayed on the screen is red (it means the channel has not been memorized), the volume control is in vain.
- 2) For earphone use, insert the earphone plug into the EAR jack (17).
- 3) No volume output when the MUTE key (32) on the remote control unit is pressed. Press again to recover.

MONITOR OPERATION-----

1. Input the AV signal from the sources (VCR, Video camera, GPS, etc.) to the AV1 (15) and /or AV2 (16) jacks. The yellow terminal of the AV cord connects with the video signal; the white terminal with audio.



2. Press the TV / AV1 / AV2 key (6,33) to select the desired AV source. The screen is dark with no video inputs.
3. Picture adjustment: as the TV operation described above.
4. Audio operation: as the TV operation described above.

IMPORTANT NOTES-----

1. Do not expose to temperature extremes or direct sunlight. (See specifications)
2. Avoid dust and wet.
3. Avoid dropping and strong impact.
4. Turn power off and unplug the adapter when not in use or thundering.
5. Never watch while driving a vehicle.
6. Never attempt your own maintenance.

TROUBLESHOOTING-----

Before assuming malfunction of TV, check as follows:

SYMPTOMS	POSSIBLE CAUSES	WHAT TO DO
No power	<ul style="list-style-type: none"> • AC adapter or car cord not properly connected • Fuse of car cord blown • Dead batteries • Incorrect polarity of batteries (battery box used) 	<ul style="list-style-type: none"> • Connect correctly • Replace fuse • Replace batteries • Make sure the battery poles are properly aligned.
Remote control unit cannot work	<ul style="list-style-type: none"> • Batteries unloaded, dead or incorrect polarity • Remote control distance too far. • Direction of remote control improper 	<ul style="list-style-type: none"> • replace batteries • Distance must be less than 2M. • Point the remote control unit to the sensor directly
No picture and sound	<ul style="list-style-type: none"> • TV/AV1/AV2 selected incorrectly • Incorrectly connected AV sources and the TV 	<ul style="list-style-type: none"> • Press the TV/AV1/Av2 key to correct mode • Check the connection and correct it
Blurry picture and noise	<ul style="list-style-type: none"> • External antenna not connected properly or rod antenna folded • Not properly tuned. • Interference from automobiles, electric appliances, etc. • Reception bad due to weak signals, buildings, mountains, etc. 	<ul style="list-style-type: none"> • Check the connection. Extend rod antenna. • Press auto program key again. • Move further away from appliances causing interference. Change antenna position. • In locations with poor reception, it may not be possible to get a clear picture or any picture at all.
Sound heard but picture all white or dark	<ul style="list-style-type: none"> • Brightness control not set correctly 	<ul style="list-style-type: none"> • Adjust brightness
Sound heard but color light	<ul style="list-style-type: none"> • Color control not set correctly. 	<ul style="list-style-type: none"> • Adjust color.
Picture visible but no sound	<ul style="list-style-type: none"> • Mute function working. • Volume control turned too low • Earphone inserted 	<ul style="list-style-type: none"> • Mute off. • Turn volume up. • Disconnect earphone.

SPECIFICATIONS-----

CTV-5040 / 60

TYPE	Color LCD TV	
DISPLAY SCREEN	SIZE	4 inches (82.1 x 61.7mm)(W x H) 6 inches (112.9 x 84.7mm) (W x H)
	ELEMENT FORMAT	TFT-LCD 4": 480 (W) x 234 (H) Total 112,320 dots 6": 720 (W) x 234 (H) Total 168,480 dots
BACK LIGHT	Cold cathode fluorescent lamp	
POWER SUPPLY	AC adapter (AC 120V 60 Hz DC 12V) Car battery (DC 12V)	
POWER CONSUMPTION	DC 12V	4": 7W 6": 11W
RECEPTION CHANNELS	VHF-L VHF-H UHF	CH 2 ~ 6 CH 7 ~ 13 CH 14 ~ 69
INPUT TERMINALS	External power jack (DC IN 12 ~ 14V) External antenna jack (3.5Ø mm) AV1 input jack (3.5Ø mm) AV2 input jack (3.5Ø mm)	
OUTPUT TERMINALS	Diversity jack (3.5Ø mm) Earphone jack (3.5Ø mm)	
OPERATION TEMPERATURE	5° ~ 40° C	
STORAGE TEMPERATURE	-20° ~ +60° C	
DIMENSIONS	4": 150 x 116 x 45mm (W x H x D) 6": 180 x 145 x 48mm (W x H x D)	
WEIGHT	4": 460g 6": 650g	

ACCESSORY LIST-----

Description	Part Number
AVT-988 9" Color Television with Remote (12V)	AVT988
AVT-597 5" Color Television with Remote (12V)	AVT597
AVT-1498 13" Color Television with Remote (12V)	AVT1498
AVP-7000 Video Cassette Player (12V)	AVP7000
AVP-7285 Video Cassette Player (12V)	AVP7285
Wireless Headphone Kit: Includes 2 sets Wireless Headphones and Transmitter	WRFKIT1
BPA-501-12 4 Amp Adapter for use with AVT-988 9" and AVT-1498 13" Televisions	0891412
AC2A- 2 Amp Adapter for use with AVT-597 5" TV and AVP-7000 Video Cassette Player	0891436
Unified Remote Control	0892325
VAC-21- 12 Volt Corded Vacuum	VAC21
AVF-1 12 Volt Rechargeable Flashlight	AVF1
HP-175 Headphones with Pivoting Ear Cup	HP175
HP-275 Headphones with Volume Control on Cord	HP275
HP-375 Studio Quality Headphones	HP375

Unlike household electronics, all of our products have been specifically designed and tested for the mobile environment and are only available through ASA. To order any of these products, please contact Audiovox Specialized Applications at www.asaelectronics.com or 800-688-3135.